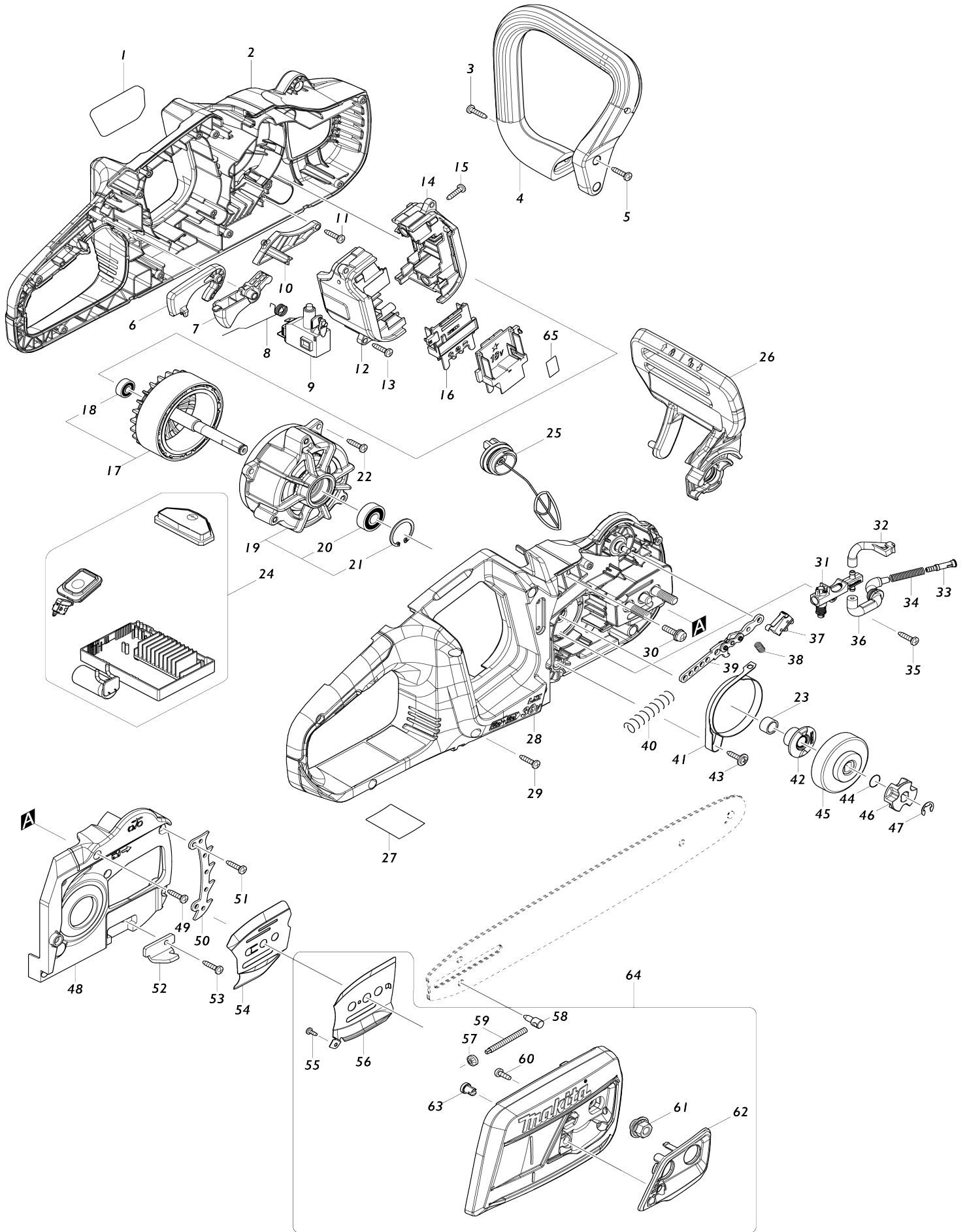


Model No.DUC355 350MM CORDLESS CHAIN SAW



Model No.DUC355 350MM CORDLESS CHAIN SAW

Item No.	Parts No.	Description	Interc hang eabilit y	Q'ty	New/ Old	Note1	Note2
001	818F45-8	DUC355 MODEL NO. LABEL		1			
002	183K81-6	HOUSING SET		1	*		
C10	812D15-7	CAUTION LABEL		1	*		
D10		INC. 28					
002-1	183K81-6	HOUSING SET	O	1			
C10	812D15-7	CAUTION LABEL		1			
D10		INC. 28					
003	266326-2	TAPPING SCREW 4X18		2			
004	457007-1	FRONT HANDLE		1			
005	266326-2	TAPPING SCREW 4X18		2			
006	457013-6	CATCH LEVER		1			
007	457006-3	SWITCH LEVER		1			
008	232318-3	TORSION SPRING 10		1			
009	650781-2	SWITCH C3JW-6B-P		1			
010	457010-2	HOUSING L COVER		1			
011	266326-2	TAPPING SCREW 4X18		1			
012	183F15-9	TERMINAL BOX SET		1			
C10	263005-3	RUBBER PIN 6		4			
D10		INC. 14					
013	266326-2	TAPPING SCREW 4X18		4			
014	183F15-9	TERMINAL BOX SET		1			
C10	263005-3	RUBBER PIN 6		4			
D10		INC. 12					
015	266326-2	TAPPING SCREW 4X18		2			
016	643874-2	TERMINAL		2			
017	519411-3	ROTOR ASS'Y		1			
D10		INC. 18					
018	210028-2	BALL BEARING 606ZZ		1			
019	592H45-5	STATOR ASS'Y		1	*		
D10		INC. 20,21					
019-1	590094-8	STATOR ASSY	O	1			
D10		INC. 20,21					
020	210059-1	BALL BEARING 6000DDW		1	*		
020-1	210274-7	BALL BEARING 6000DDW	O	1			
021	962105-3	RETAINING RING R-26		1			
022	266326-2	TAPPING SCREW 4X18		3			
023	257402-3	SLEEVE 10		1			
024	144254-0	CONTROLLER COMPLETE		1	*		
024-1	141G22-4	CONTROLLER COMPLETE	<	1			
025	168508-1	TANK CAP COMPLETE		1	*		
C10	213355-6	O-RING 25		1	*		
025-1	162A04-7	TANK CAP COMPLETE	O	1			
C11	213A11-4	O-RING 25	O	1			
026	458418-3	FRONT HAND GUARD		1			
027	855A12-2	DUC355 NAME PLATE		1			
028	183K81-6	HOUSING SET		1	*		
C10	812D15-7	CAUTION LABEL		1	*		

D10		INC. 2				
028-1	183K81-6	HOUSING SET	O	1		
C10	812D15-7	CAUTION LABEL		1		
D10		INC. 2				
029	266326-2	TAPPING SCREW 4X18		8		
030	911233-1	PAN HEAD SCREW M5X20		3		
031	142156-4	OIL PUMP COMPLETE		1	*	
031-1	142156-4	OIL PUMP COMPLETE	O	1		
032	424904-6	CONNECTOR B		1		
033	452666-6	NIPPLE		1	*	
033-1	452666-6	NIPPLE	O	1		
034	234207-8	COMPRESSION SPRING 6		1	*	
034-1	231975-4	SPRING	O	1		
035	266326-2	TAPPING SCREW 4X18		1		
036	424903-8	CONNECTOR A		1		
037	632H47-0	SWITCH UNIT		1		
038	231298-0	COMPRESSION SPRING 6		1		
039	163448-8	LINKPLATE COMPLETE		1		
040	232319-1	COMPRESSION SPRING 9		1		
041	345454-7	BRAKE BAND		1		
042	221427-3	WORM GEAR		1		
043	265620-9	TAPPING SCREW FLANGE 4X18		1		
044	213060-5	O RING 10		1		
045	161891-5	BRAKE DRUM COMPLETE		1	*	
045-1	313422-8	BRAKE DRUM	O	1		
046	221464-7	SPROCKET 6		1		
047	961013-5	STOP RING E-7		1		
048	457004-7	HOUSING R COVER		1		
049	266326-2	TAPPING SCREW 4X18		4		
050	347078-5	SPIKE BUMPER		1		
051	266326-2	TAPPING SCREW 4X18		2		
052	347079-3	CHAIN CATCHER		1		
053	266326-2	TAPPING SCREW 4X18		1		
054	346694-0	GUIDE PLATE ES		1		
055	266166-8	TAPPING SCREW CT 3X8		2		
056	346699-0	GUIDE PLATE CS		1		
057	227496-2	STRAIGHT BEVEL GEAR 14		1		
058	326311-8	ADJUST PIN		1		
059	326313-4	ADJUST SCREW		1		
060	266427-6	TAPPING SCREW 4X12		2		
061	162493-0	FLANGE NUT COMPLETE		2	*	
061-1	162493-0	FLANGE NUT COMPLETE	O	2		
062	454620-6	NUT COVER		1		
063	227620-7	DRIVE GEAR 14		1		
064	136071-2	SPROCKET COVER ASSY		1		
D10		INC. 55-63				
D11		INC. 55-63,66				
065	855A18-0	DUC355 SERIAL NO. LABEL		1		
066	458871-3	SPROCKET COVER		1		
A01	782027-9	BOX WRENCH		1		
A02	165246-6	GUIDE BAR 14		1	*	
A02-1	165246-6	GUIDE BAR 14	O	1		

A03	419288-5	CHAIN COVER		1			
A04	196741-5	SAW CHAIN SET		1	*		
A04-1	191H02-6	SAW CHAIN 14 SET	O	1			
F10	195093-1	CHAIN OIL SET		1			
F12	195923-6	ROUND FILE 4.5 SET		1	*		
F12-1	D-70954	FILE HOLDER SET 4.5MM(11/64")	O	1			
F13	196206-7	SAW CHAIN SET		1	*		
F22	196740-7	SAW CHAIN SET		1	*		
F22-1	191H01-8	SAW CHAIN 12 SET	O	1			
F27	198457-8	CHAIN EDGER SET		1	*		
F27-1	D-70948	FILE HOLDER SET 4.0MM(5/32")	O	1			

Please state Parts No. when your order.

Print Date 06/10/2024